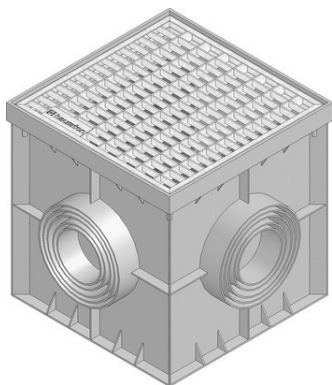
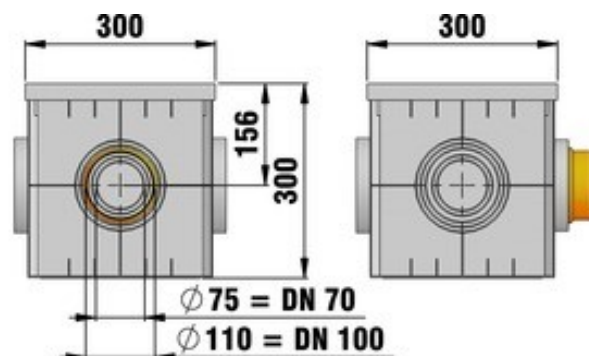


RECYFIX®POINT

RECYFIX®POINT 30/30, Point drainage, class B 125, with foul air trap, PE mud bucket and sleeve for KG-pipe connection DN 100, with mesh grating, MW 30/15, galvanised



B 125



■ Technical data:

Length mm	Width mm	Height mm	Weight kg	Item-no.
300	300	300	4,2	183

■ Product description:

RECYFIX POINT 30/30 - Yard-gully made of PP, with mesh, grating, galvanised mesh width 30/15, loading capacity from A up to B 125, with foul air trap, mud bucket and adapter for KG-pipe-connection DN 100, L/W/H 300x300x300 mm, Item No. 183

■ Material:

- **Channel body:** Polypropylene
- **Grating:** hot-dip galvanised steel

■ Set of rules:

■ Application areas:

- Gardening and landscaping
- Yard gullies

