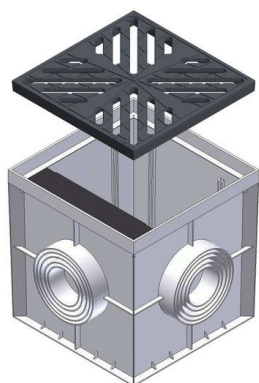
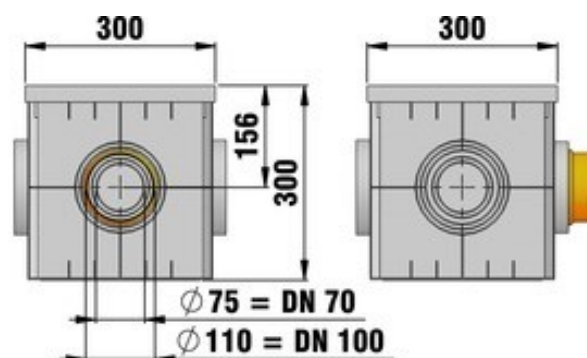


## RECYFIX®POINT

RECYFIX®POINT 30/30, Point drainage, class B 125, with foul air trap, PE mud bucket and sleeve for KG-pipe connection DN 100, with ductile iron grating, star design, black



B 125



### ■ Technical data:

Length mm	Width mm	Height mm	Weight kg	Item-no.
300	300	300	7,6	185

### ■ Product description:

RECYFIX POINT 30/30 - Yard-gully made of PP, with ductile iron grating, star design, loading capacity from A up to B 125, with foul air trap, mud bucket and adapter for KG-pipe-connection DN 100, L/W/H 300x300x300 mm, Item No. 185

### ■ Material:

- **Channel body:** Polypropylene
- **Grating:** Ductile iron GJS 500-7

### ■ Set of rules:

### ■ Application areas:

- Gardening and landscaping
- Yard gullies

